



Our world revolves around you.

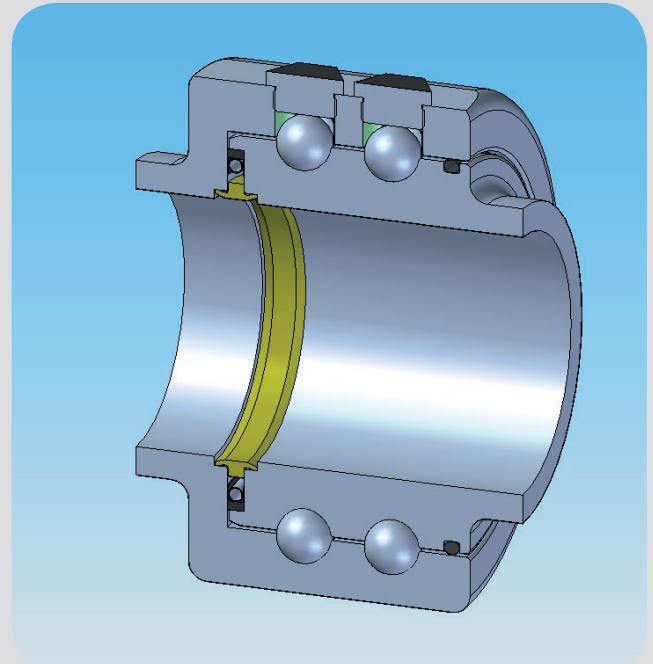
EZM STANDARD Swivel Joints

Multiple-purpose swivel joints
directly from the manufacturer

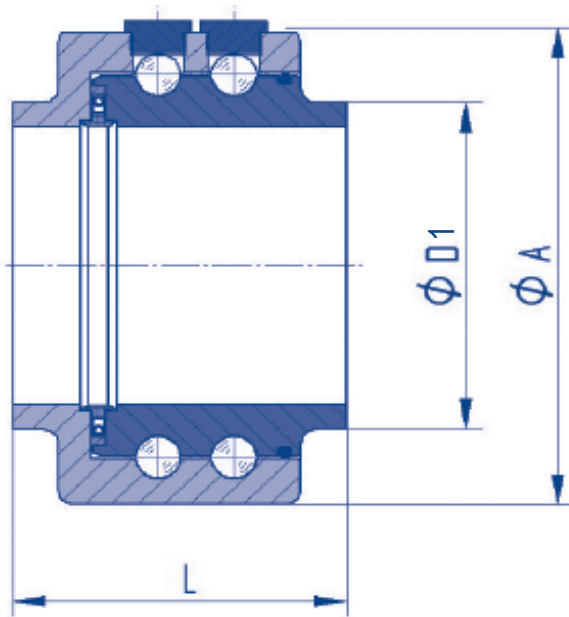
For over ten years, EZM Gelenk- und System-technik has proven itself as a reliable supplier of swivel joints. We deliver to the chemical and pharmaceutical industry, to steel mills, power plants and to manufacturer of municipal vehicles.

Advantages:

- Compatibility is guaranteed
- Swivel joints from DN20 to DN600, spare and replacement parts are all available directly from stock, guaranteeing minimum delivery time
- 48-hour maintenance response
- Custom-produced swivel joints are available in short order



 **Made in
Germany**



EZM STANDARD

Swivel joint head IFG / Standard Design

Dimensions and weights

DN	ØD1 mm	ØA mm	L mm	weight kg
20	26,9	84	90	2,6
25	33,7	84	90	2,6
32	42,4	96	90	3,3
40	48,3	96	90	3,3
50	60,3	115	110	5,6
65	76,1	135	110	7,0
80	88,9	144	110	7,4
100	114,3	167	110	9,0
125	139,7	198	140	15,0
150	168,3	225	140	17,8
200	219,1	288	152	31,1
250	273,0	344	152	39,0
300	323,9	400	160	49,1
350	355,6	432	160	53,5
400	406,4	488	160	62,3
500	508,0	582	170	75,3
600	610,0	684	170	92,2

Nominal width

- from DN20 to DN600

Standard design

- with two ball tracks
- with axial seal
- with dust seal

Special design

- with lubricating nipple
- with internal scraper
- primed or painted upon request

Connections

- all connects as e.g. SAE socket possible

Specification

- max. pressure 420 bar
- max. temperature 180 °C
(The maximum limits of temperature and pressure must not occur at the same time)

Standard material

- St 52-3/nitrocarburated
- 1.4571
- 42CrMo4
- other material upon request

Axial seal

- PTFE compound
(spring-loaded)

Contact:

Martin Klaas: +49 (0) 2392 5070 251
email: m.klaas@ezm-industrie.de

Axel Klaas: +49 (0) 02392 5070 250
email: a.klaas@ezm-industrie.de