



Our world revolves around you.

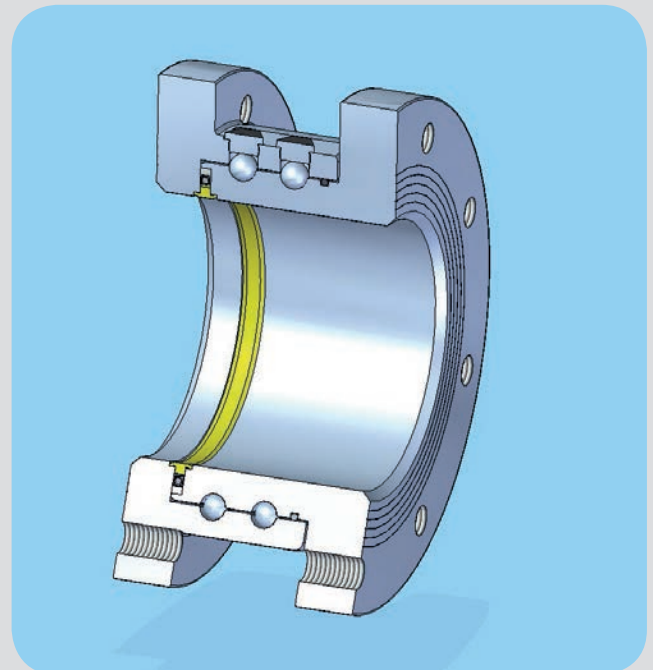
EZM **FLAT** Swivel Joints

Multi-purpose swivel joints directly from the manufacturer

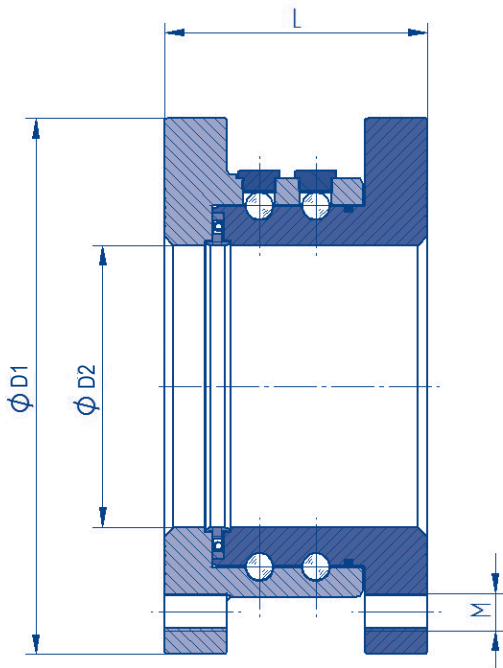
The swivel joint head EZM FLAT is designed for heavy-duty applications with short overall length. Avoiding welding construction and integrated parallel flanges make for simple assembly and disassembly in swing pipe systems.

Advantages:

- Compatibility is guaranteed
 - Swivel joints from DN50 to DN500, spare and replacement parts are all available directl from stock, guaranteeing minimum delivery time
 - Other dimensions available upon request
 - Available in standard materials:
 - 1.4301
 - 1.4571
 - 42CrMo4
 - St 52-3 nitrocarburated
- Other materials are available upon request



 **Made in
Germany**


Standard design

- with two ball tracks
- with axial seal
- with dust seal
- with flange connection

Special design

- with lubricating nipple
- with internal scraper
- primed or painted
- available also in 1.4404

Specification

- max. pressure 420 bar
- max. temperature 180 °C
(The maximum limits of temperature and pressure must not occur at the same time)

Axial seal

- PTFE compound
(spring-loaded)

EZM FLAT

Swivel joint head IFGF / Standard Design

Dimensions and weights

Nominal width	PN	ØD1 mm	ØD2 mm	M mm	L mm
2,5"	150 lbs	177,8	62,6	M16	120
	300 lbs	190,5		M20	
3"	150 lbs	190,5	78,0	M16	130
	300 lbs	209,5		M20	
4"	150 lbs	228,6	98,0	M16	130
	300 lbs	254,0		M20	
5"	150 lbs	254,0	128,3	M20	130
	300 lbs	279,4			
6"	150 lbs	279,4	150,0	M20	140
	300 lbs	317,5			
8"	150 lbs	342,9	197,1	M20	160
	300 lbs	381,0		M24	
10"	150 lbs	406,4	250,0	M24	160
	300 lbs	444,5		M27	
12"	150 lbs	482,6	304,8	M24	160
	300 lbs	520,7		M30	
16"	150 lbs	596,9	395	M27	170
	300 lbs	647,7		M30	
20"	150 lbs	698,5	488	M30	190
	300 lbs	774,7			

DN	PN	ØD1 mm	ØD2 mm	M mm	L mm
50	10	165,0	54,5	M16	120
	16				
	40				
65	10	185,0	70,3	M16	120
	16				
	40				
80	10	200,0	82,5	M16	130
	16				
	40				
100	10	220,0	98,0	M16	130
	16				
	40	235,0		M20	
125	10	250,0	131,7	M16	130
	16				
	40	270,0		M24	
150	10	285,0	150,0	M20	140
	16				
	40	300,0		M24	
200	10	340,0	197,1	M20	160
	16				
250	10	395,0	250,0	M20	160
	16	405,0		M24	
300	10	445,0	309,0	M20	160
	16	460,0		M24	
400	10	565	392	M24	170
	16	580		M24	
500	10	670	488	M24	190
	16	715		M30	

Contact:

Martin Klaas: +49 (0) 2392 5070 251
email: m.klaas@ezm-industrie.de

Axel Klaas: +49 (0) 02392 5070 250
email: a.klaas@ezm-industrie.de