



**Our world revolves around you.**

## **EZM TRUCK** Swivel Joints

**Swivel joints for municipal vehicles directly from the manufacturer**

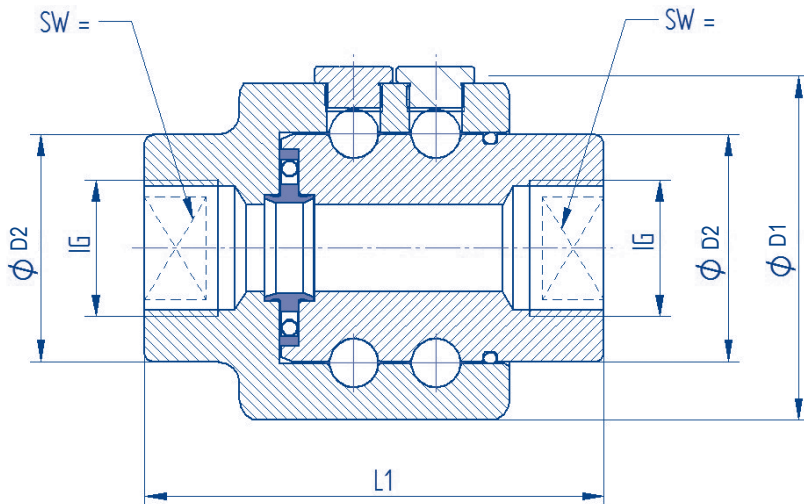
For over ten years, EZM Gelenk- und Systemtechnik has proven itself as a reliable supplier to major manufacturers of municipal vehicles. We specialize in providing high quality swivel joints for municipal vehicles directly from the manufacturer to you!

### **Advantages:**

- Compatibility is guaranteed
- Swivel joints from DNo8 to DN50 in three designs directly from stock
- Spare and replacement parts are all available directly from stock, guaranteeing minimum delivery time
- 48-hour maintenance response
- Custom-produced swivel joints are available in short order



 **Made in  
Germany**



# EZM TRUCK

## Design 1 / Swivel joint head IFGM

### Dimensions and weights

DN	IG	L1 mm	SW mm	H mm	ØD1 mm	ØD2 mm	weight kg
08	G 1/4"	100	32	26,0	70	41,5	2,1
	NPT 1/4"						
12	G 3/8"	100	32	26,0	70	41,5	2,1
	NPT 3/8"						
15	G 1/2"	100	32	26,0	70	41,5	2,1
	NPT 1/2"						
20	G 3/4"	100	50	30,0	84	55,5	3,0
	NPT 3/4"						
25	G 1"	112	50	30,0	84	55,5	3,1
	NPT 1"						
32	G 1 1/4"	122	60	37,5	96	67,5	4,1
	NPT 1 1/4"						
40	G 1 1/2"	122	60	37,5	96	67,5	4,1
	NPT 1 1/2"						
50	G 2"	145	70	45,0	115	81,5	6,4
	NPT 2"						

### Nominal width

- from DN08 to DN50

### Standard design

- with two ball tracks
- with axial seal
- with dust seal

### Special design

- with lubricating nipple
- with internal scraper
- leakage control connection

### Specification

- max. pressure 420 bar
- max. temperature 180 °C  
(The maximum limits of temperature and pressure must not occur at the same time)

### Standard material

- 42CrMo4

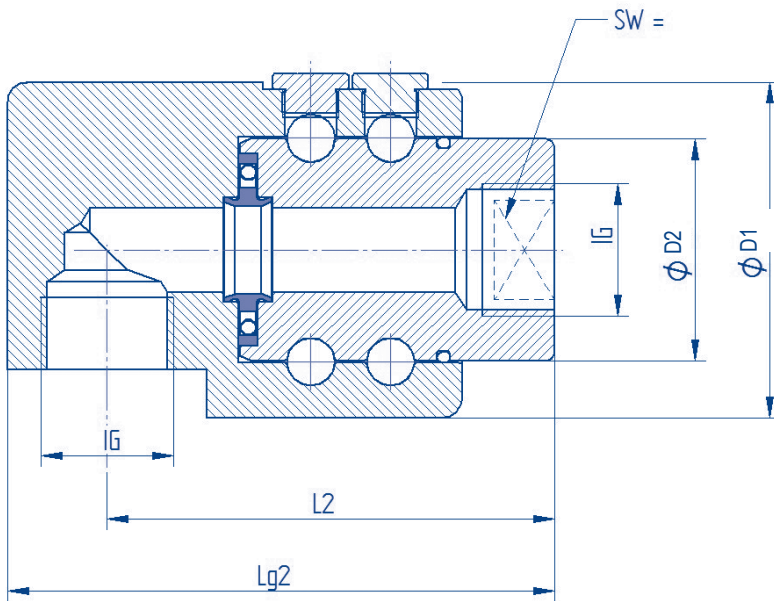
### Axial seal

- PTFE compound (spring-loaded)

### Contact:

**Martin Klaas: +49 (0) 2392 5070 251**  
**email: m.klaas@ezm-industrie.de**

**Axel Klaas: +49 (0) 02392 5070 250**  
**email: a.klaas@ezm-industrie.de**



# EZM TRUCK

## Design 2 / Swivel joint head IFGM

### Dimensions and weights

DN	IG	L2 mm	SW mm	H mm	ØD1 mm	ØD2 mm	LG2 mm	weight kg
08	G 1/4"	100	32	26,0	70	41,5	120	3,0
	NPT 1/4"							
12	G 3/8"	100	32	26,0	70	41,5	120	3,0
	NPT 3/8"							
15	G 1/2"	100	32	26,0	70	41,5	120	3,0
	NPT 1/2"							
20	G 3/4"	100	50	30,0	84	55,5	120	4,1
	NPT 3/4"							
25	G 1"	112	50	30,0	84	55,5	137	4,5
	NPT 1"							
32	G 1 1/4"	137	60	37,5	96	67,5	172	7,2
	NPT 1 1/4"							
40	G 1 1/2"	137	60	37,5	96	67,5	172	7,2
	NPT 1 1/2"							
50	G 2"	160	70	45,0	115	81,5	200	11,0
	NPT 2"							

### Nominal width

- from DN08 to DN50

### Standard design

- with two ball tracks
- with axial seal
- with dust seal

### Special design

- with lubricating nipple
- with internal scraper
- leakage control connection

### Specification

- max. pressure 420 bar
- max. temperature 180 °C  
(The maximum limits of temperature and pressure must not occur at the same time)

### Standard material

- 42CrMo4

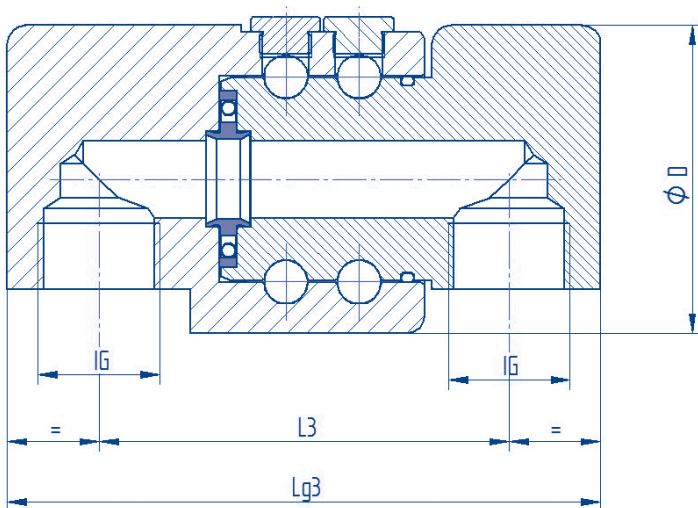
### Axial seal

- PTFE compound (spring-loaded)

### Contact:

**Martin Klaas: +49 (0) 2392 5070 251**  
**email: m.klaas@ezm-industrie.de**

**Axel Klaas: +49 (0) 02392 5070 250**  
**email: a.klaas@ezm-industrie.de**



# EZM TRUCK

## Design 3 / Swivel joint head IFGM

### Dimensions and weights

DN	IG mm	L3 mm	sw mm	H mm	ØD1 mm	ØD2 mm	LG3	weight kg
08	G 1/4"	100	32	26,0	70	41,5	140	3,8
	NPT 1/4"							
12	G 3/8"	100	32	26,0	70	41,5	140	3,8
	NPT 3/8"							
15	G 1/2"	100	32	26,0	70	41,5	140	3,8
	NPT 1/2"							
20	G 3/4"	100	50	30,0	84	55,5	140	5,1
	NPT 3/4"							
25	G 1"	112	50	30,0	84	55,5	162	5,8
	NPT 1"							
32	G 1 1/4"	142	60	37,5	96	67,5	212	9,8
	NPT 1 1/4"							
40	G 1 1/2"	142	60	37,5	96	67,5	212	9,8
	NPT 1 1/2"							
50	G 2"	165	70	45,0	115	81,5	245	15,1
	NPT 2"							

### Nominal width

- from DN08 to DN50

### Standard design

- with two ball tracks
- with axial seal
- with dust seal

### Special design

- with lubricating nipple
- with internal scraper
- leakage control connection

### Specification

- max. pressure 420 bar
- max. temperature 180 °C  
(The maximum limits of temperature and pressure must not occur at the same time)

### Standard material

- 42CrMo4

### Axial seal

- PTFE compound  
(spring-loaded)

### Contact:

**Martin Klaas: +49 (0) 2392 5070 251**  
**email: m.klaas@ezm-industrie.de**

**Axel Klaas: +49 (0) 02392 5070 250**  
**email: a.klaas@ezm-industrie.de**